

4

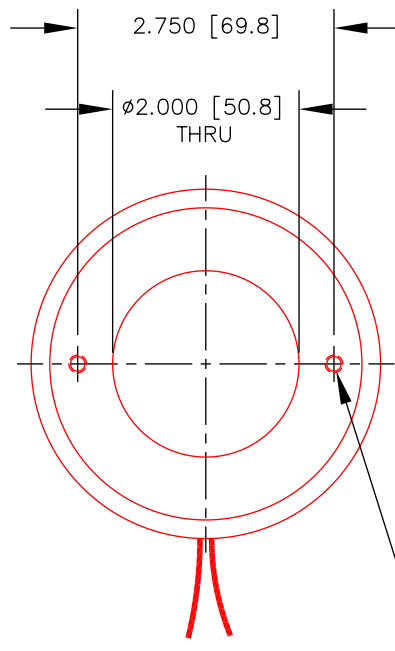
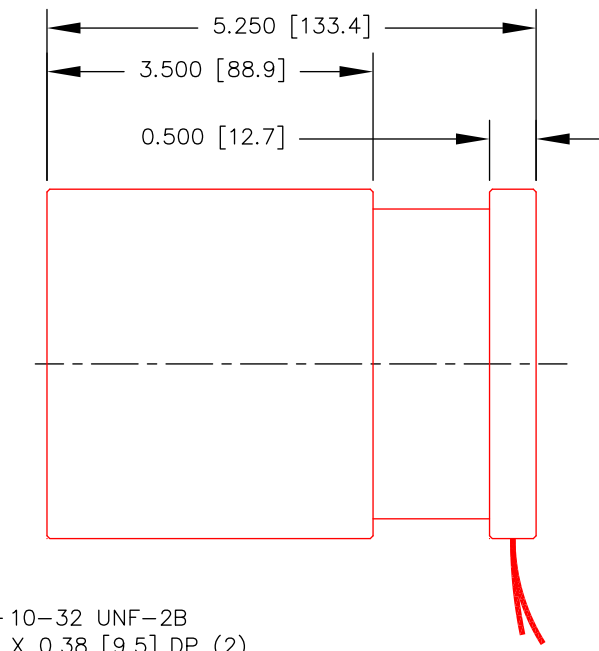
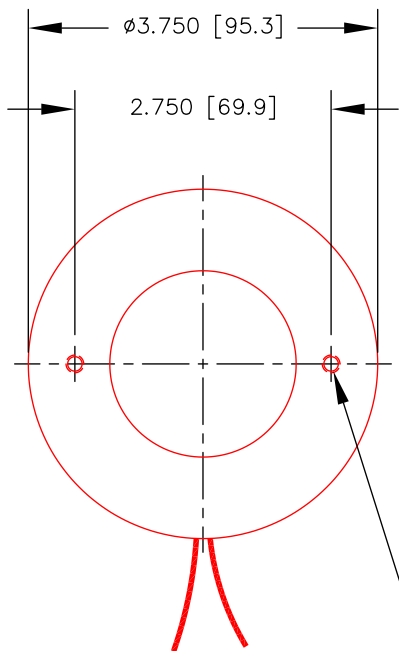
3

2

1

SHOWN AT MID-STROKE

REVISIONS					
ZONE	LETTER	DESCRIPTION	DATE	CHECKED	APPROVED



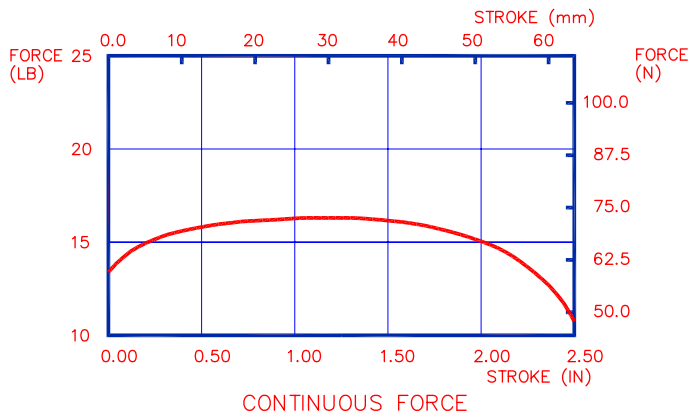
10-32 UNF-2B  
X 0.38 [9.5] DP (2)

10-32 UNF-2B  
X 0.38 [9.5] DP (2)

INTERMITTENT FORCE @10% DUTY CYCLE	228.9 N	51.5 LB
CONTINUOUS FORCE	72.4 N	16.3 LB
FORCE CONSTANT	14.5 N/A	3.26 LB/A
BACK EMF CONSTANT	14.5 V/M/S	0.37 V/IN/S
STROKE	63.5 mm	2.50 IN
COIL CLEARANCE PER SIDE	0.64 mm	0.025 IN
COIL ASSY MASS	591 GR	1.30 LB
BODY MASS	2.78 KG	6.12 LB
COIL RESISTANCE	3.0 Ohms	
COIL INDUCTANCE @ 1000 Hz	2.4 mH	
MAX CONTINUOUS POWER	75 W	

ALL VALUES AT 25°C

NOTES :  
UNLESS OTHERWISE SPECIFIED



THIS DOCUMENT, WHETHER OR NOT MARKED AS PROPRIETARY, IS CONSIDERED CONFIDENTIAL AND SHALL REMAIN THE PROPERTY OF MOTICONT AND SHALL BE RETURNED TO MOTICONT UPON REQUEST WITH ALL COPIES MADE THEREOF. THIS DOCUMENT CANNOT BE UTILIZED IN THE MANUFACTURE OF ARTICLES SOLD OR OFFERED OR DISCLOSED TO ANYONE AND NO USE OF IT CAN BE MADE UNLESS EXPRESSLY AUTHORIZED BY AND UNDER THE DIRECTION OF MOTICONT. POSSESSION OF THIS DOCUMENT IS ACCEPTED SUBJECT TO THE FOREGOING.

DIMENSIONS ARE IN INCHES (mm) TOLERANCES ON: DECIMALS FRACTIONS ANGLES .XXX .XX ± 1/125 ± 1/2° ± .005 ± .01 UNLESS OTHERWISE SPECIFIED		MATERIAL	CONTRACT			
FINISH		DRN				
USED ON		CHKD			LINEAR VOICE COIL MOTOR	
NEXT ASSY		APPVD			SIZE	CODE
APPLICATION		APPVD			DWG. NO. HVCM-095-089-051-01	
		SCALE: 1 / 2		REV. 1		
		SHEET 1 OF 1				

4

3

2

1